

Pressure Reducer SL

[Order Catalog/Components of Sealed Pressure Reducer]

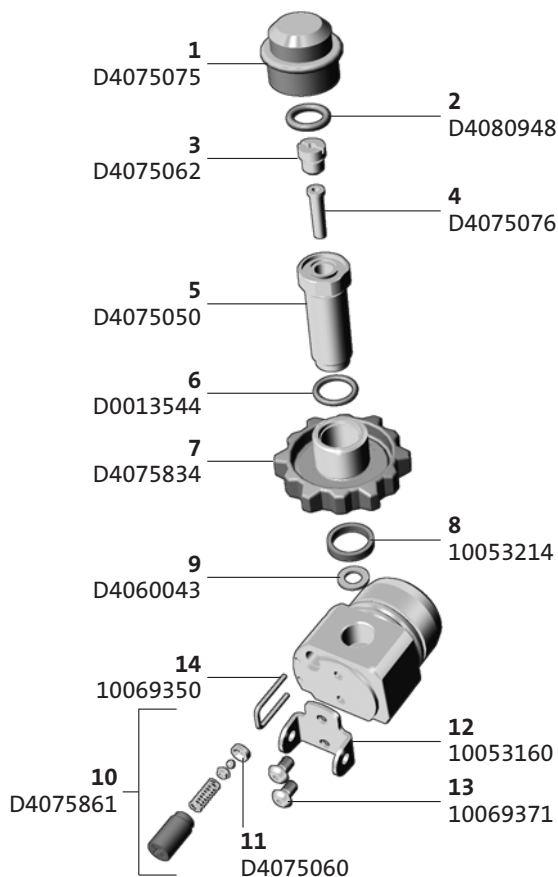
No.		Part No.
	Pressure reducer SL With safety valve, high pressure socket and hand wheel, without lines	10068765
	Pressure reducer SL-Q With safety valve, high pressure socket, hand wheel and QuickFill coupling, without lines	10068766
	High Pressure Socket	
1	Protective cap	D4075075
2	O-Ring 11 x 2.5 mm [pack of 10]	D4080948
3	Threaded nipple	D4075062
4	Sinter filter	D4075076
5	High pressure socket	D4075050
6	O-ring 14 x 2 mm	D0013544
7	Hand wheel	D4075834
8	Slip ring	10053214
9	Washer 13.5 x 8.2 x 1 mm	D4060043
	Safety Valve	
10	Safety valve	D4075861
11	Gasket [contained in position 10]	D4075060
	Miscellaneous	
12	Holding plate	10053160
12a	Holding plate [for BD 96-SL with QuickFill and/or alphaMITTER]	10076892
13	Screw for holding plate [pack of 10]	10069371
14	U-Clip [pack of 10]	10069350
15	Dosing screw for SL-connection [not shown]	10053714
	QuickFill	
16	Gasket 14 x 20 x 1.5 mm [for apparatus made from 06/2006]	10075131
16a	Adapter fitting QuickFill [for apparatus made before 06/2006]	10053231
17	QuickFill coupling [male]	D4075961
18	QuickFill coupling protector [male]	D4075962
	Pressure Gauge Manifold	
19	Screw	10053237
20	Pressure gauge KM, spare part for manifold consisting of: gauge, faceplate, lens, O-rings, bursting film and washers	10069376
21	Protective cover	10053356
	Warning Signal	
22	Warning signal, complete, spare part [contains position 23 – 31]	10068853
23	O-ring 8.73 x 1.78 mm [*]	10061147
24	O-ring 14 x 1.25 mm [*]	10065863
25	Piston complete with O-rings [pack of 5]	D4075863
26	Ball for warning signal	D4075073
27	Spring for warning signal	10051587
28	Nozzle for warning signal	D4075008
29	Pipe tube	D4075009
30	Insulating ring	D4075010
31	Holding nut	10065680
32	Molykote 33 medium	D0011673

^{*}lubricate with position 32

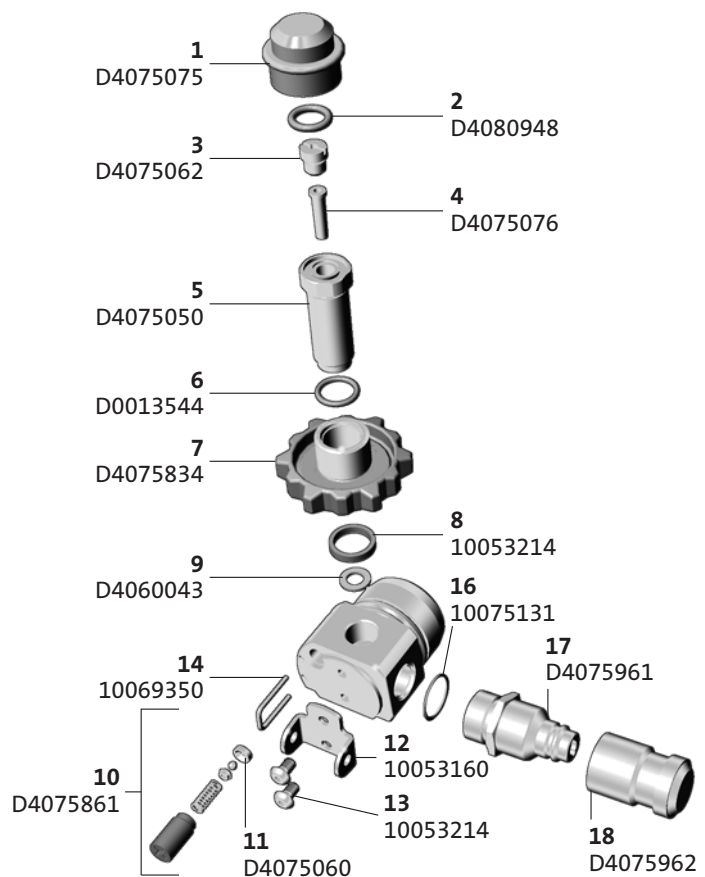
No.		Part No.
T-Pieces		
33	T-piece 115/200	D4085817
34	T-piece 156/300	D4075818
35	Gasket 13.5 x 8.2 x 1 mm	D4060043
36	Pressure spring [for T-piece 156/300]	D4075182
37	Hand wheel [for T-piece 115/200]	D4075848
38	Hand wheel [for T-piece 156/300]	D4075801
39	O-ring 14 x 2 mm	D0013544
40	High pressure socket [for T-piece 115/200]	D4075237
41	High pressure socket [for T-piece 156/300]	D4075094
42	O-ring 11 x 2.5 mm [pack of 10]	D4080948
44	Protective cap	D4075075
45	Protective element	D0010271
Reconditioned Parts		
46	Reconditioned pressure reducer SL* complete with SingleLine and pressure gauge manifold	10068179
47	Reconditioned pressure reducer SL-Q* complete with SingleLine and pressure gauge manifold	10068180

*Send in pressure reducer to be exchanged against reconditioned pressure reducer **with** SingleLine and manifold

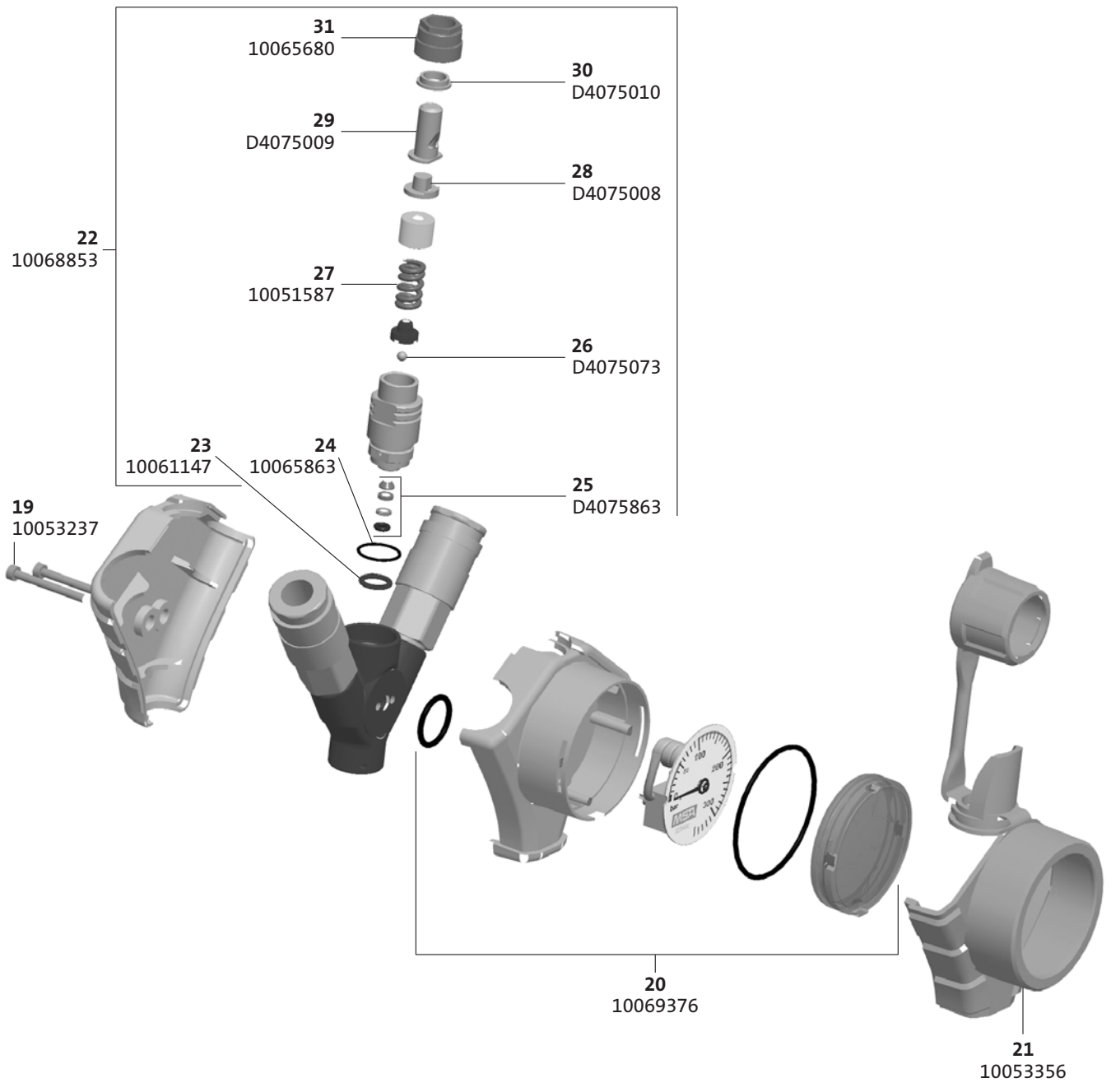
Pressure Reducer SL



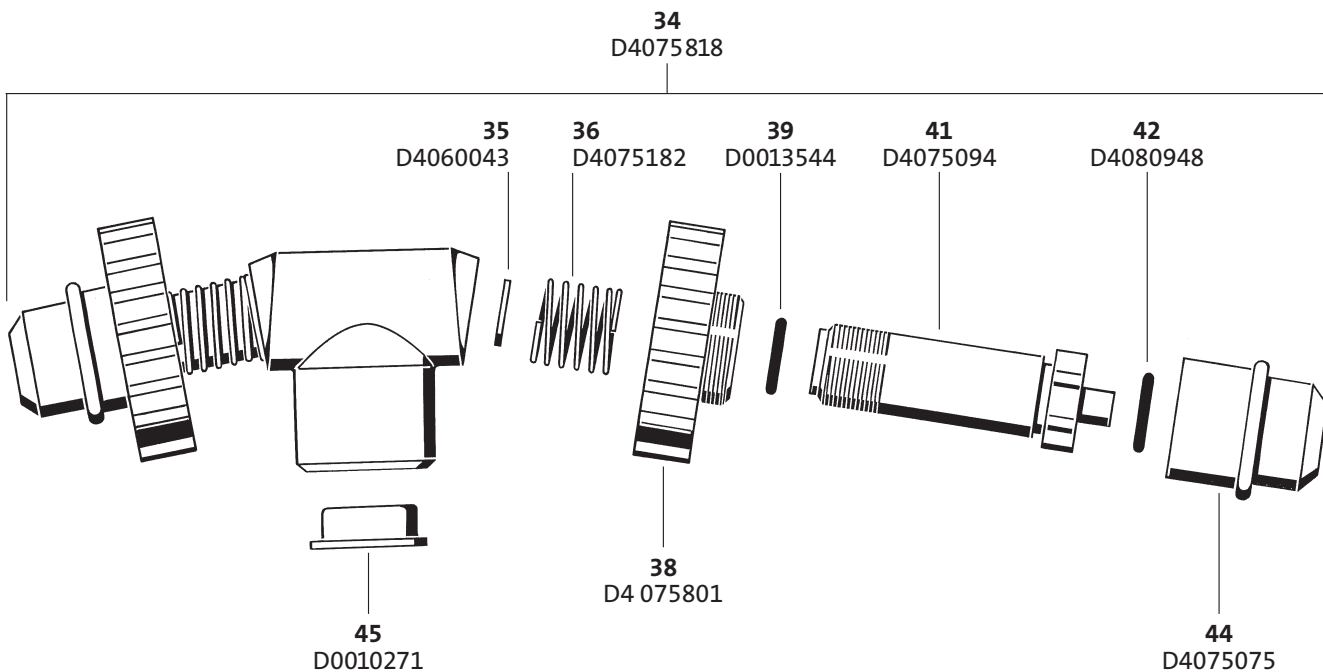
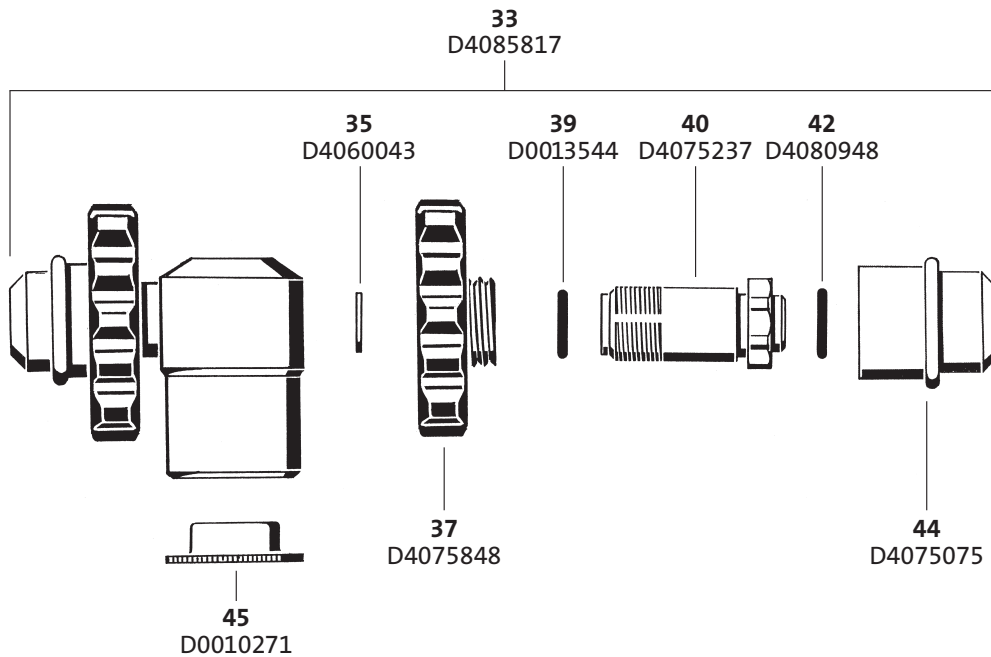
Pressure Reducer SL-Q



Pressure Gauge Manifold



Spare Parts for T-Pieces



MSA EUROPE Regional Head Offices [www.msa-europe.com]

Northern Europe

MSA Nederland B.V.
Kernweg 20, NL-1627 LH Hoorn
Phone: +31 [229] 25 03 03
Fax: +31 [229] 21 13 40
E-Mail: info@msaned.nl

Southern Europe

MSA Italiana S.p.A.
Via Po 13/17, I-20089 Rozzano [MI]
Phone: +39 [02] 89 217-1
Fax: +39 [02] 8 25 92 28
E-Mail: info-italy@msa-europe.com

Central Europe

MSA AUER GmbH
Thiemannstrasse 1, D-12059 Berlin
Phone: +49 [30] 68 86-0
Fax: +49 [30] 68 86-15 17
E-Mail: info@auer.de

Eastern Europe

MSA AUER GmbH
Thiemannstrasse 1, D-12059 Berlin
Phone: +49 [30] 68 86-25 99
Fax: +49 [30] 68 86-15 17
E-Mail: mee@auer.de

Subject to change without notice.
ID 01-160.4 GB/1./C/07.06/HA

